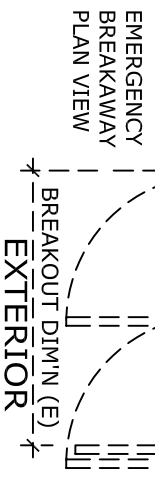
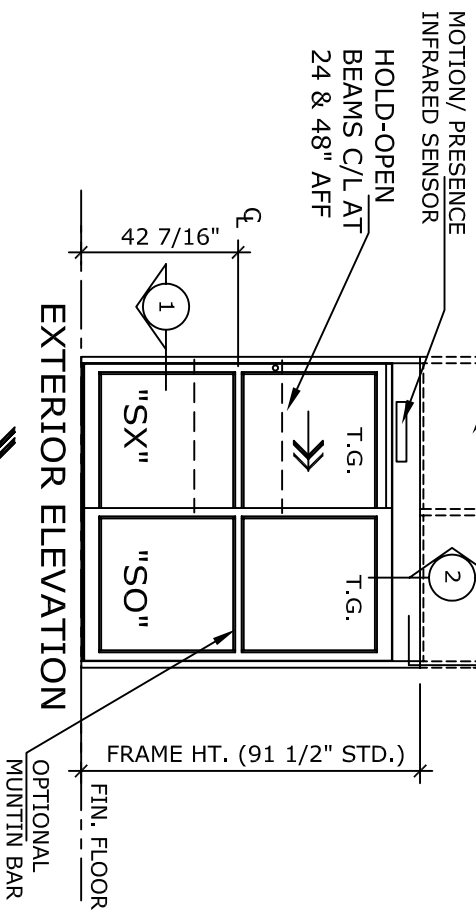


TRANSOM FRAMING
OPTIONAL

OVERALL F.W. (VARIES)

120 VAC, 60 HZ, 15A
TO JUNCTION BOX
BY ELECTRICAL
CONTRACTOR.



NOTE:
AUTOMATIC SLIDING DOOR OPERATOR SHALL BE "DS-18" CUL USA APPROVED, CONFORMING TO UL STD. 325 & ANSI-BHMA STD. A156.10 CERTIFIED TO CAN. CSA STD. C22.2.#24-93 AS MANUFACTURED BY HUNTER ACCESS TECHNOLOGIES INC.

STANDARD FINISH: ANODIZED, CLEAR; DARK BRONZE; SPECIAL FINISHES ARE AVAILABLE

UNIT DESCRIPTION

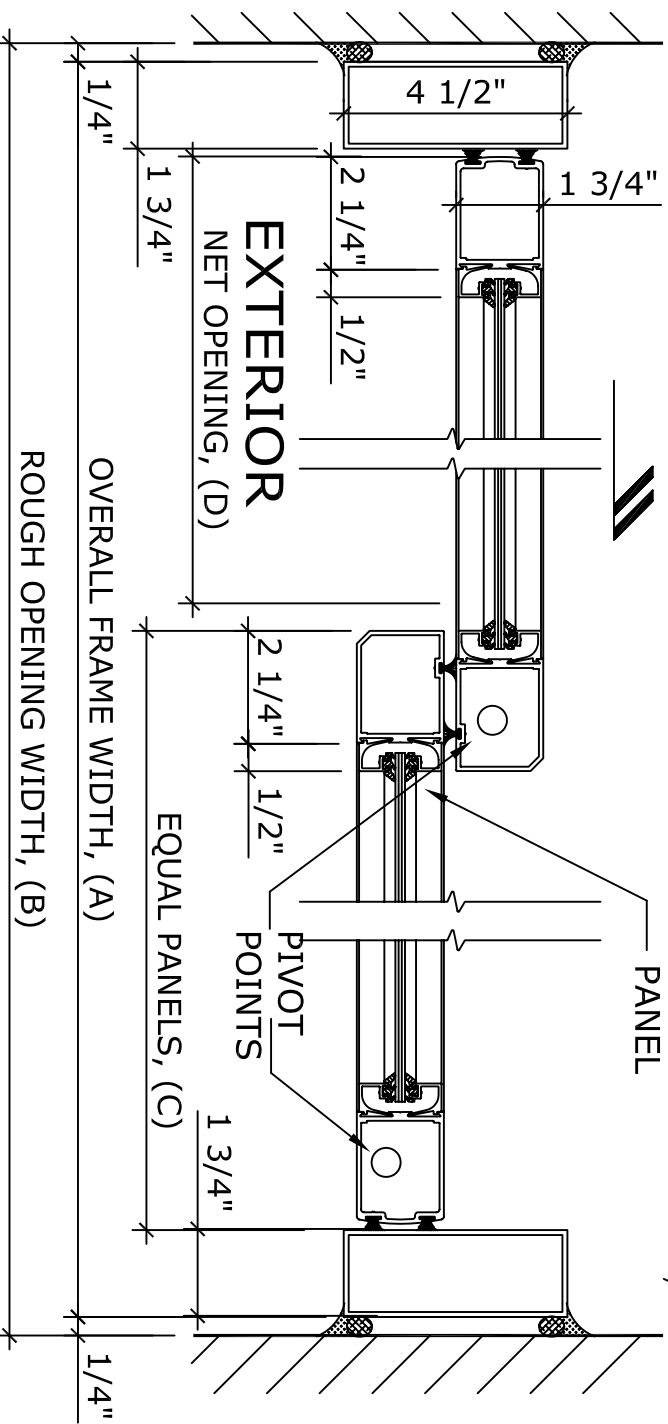
HUNTER DS-18-1-FBR

SX-SO : OVERHEAD CONCEALED FULL BREAKOUT SINGLE SLIDE DOOR SYSTEM, NARROW STILE DOORS.

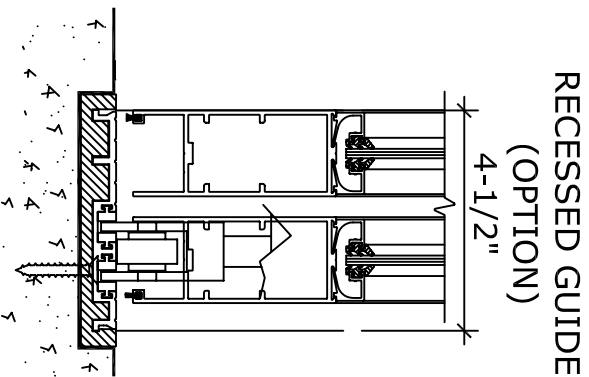
STD. PACKAGE SHALL INCLUDE AUTOMATIC OPERATOR, FRAME AND DOORS WITH MUNTIN, 4" BOTTOM RAILS WITH CONCEALED SWEEP, BRUSH-PILE WEATHER STRIPPING, EMERGENCY BREAKAWAY, MS LOCK, GLAZING STOPS FOR 1/4" TEMPERED GLASS. BOTTOM GUIDE SYSTEM SHALL BE PART OF FULL WIDTH THRESHOLD, DUAL DOORWAY SAFETY BEAMS, 3-POSITION SWITCH & MOTION/PRESENCE SENSORS.

DOOR TYPE:	OVERALL FRAME WIDTH	ROUGH OPENING WIDTH	EQUAL PANELS WIDTH	NET DOOR OPENING	BREAK OUT DIM'N.
DS18-1-FBR-	A	B	C	D	E
FBR-7	84"	84 1/2"	41 9/16"	35 1/4"	75"
FBR-8	96"	96 1/2"	47 9/16"	41 1/4"	87"
FBR-9	108"	108-1/2"	53 9/16"	47 1/4"	99"
KEY (INCHES)	(B-1/2)	(A+1/2)	(A/2-7/16)	(A/2-6 3/4)	(A-9)

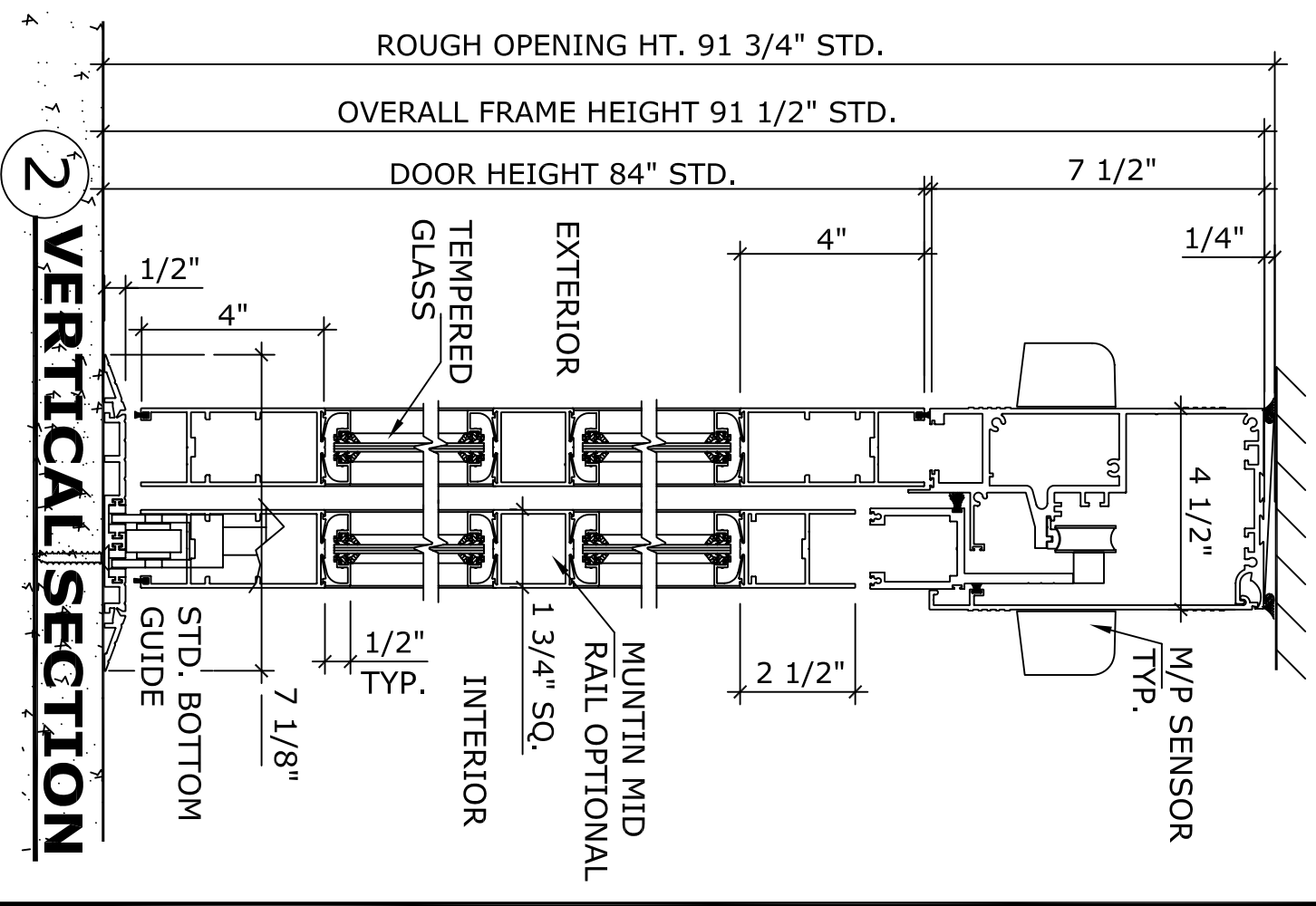
REFER TO RELEVANT (LOCAL, STATE, NATIONAL OR AHJ) BUILDING CODE FOR MIN DOOR HEIGHT & MIN/MAX WIDTH ALLOWABLE FOR EGRESS REQUIREMENT.



1 HORIZONTAL SECTION



APPLICATION:
DS-18-1-FBR. FULL BREAKOUT RIGHT HAND, AUTOMATIC SLIDING DOOR SYSTEM.



2 VERTICAL SECTION

NOTE:
HUNTER ACCESS TECHNOLOGIES INC. RESERVES THE RIGHT TO CHANGE & IMPROVE ITS PRODUCTS & SPECIFICATIONS WITHOUT NOTICE.

Hunter
ACCESS TECHNOLOGIES INC.

125 KENYON DRIVE
SUITE #3
LAKEWOOD, NJ 08701
TEL. 732-942-6099
FAX. 732-942-6033
www.hunteraccesstechnologies.com

SHEET TITLE:	SHEET NO. 2
ARCHITECT:	
CONTRACTOR:	
SCALE:	
DRAWN BY:	
DATE:	
SECTION	DS